

Connection to the processor
CXD2163BR (Sony SS-1M)

AGC-Mode

J2 AEREF	J3 AGC max	Option
0	0	100 [IRE] 8 - 38 [dB] AGCMAXL (SPEC03)
0 (standard setting)	1	100 [IRE] 8 - 38 [dB] AGCMAXH (SPEC06)
1	0	60 - 120 [IRE] by AEUSR (SPEC02) 8 - 38 [dB] AGCMAXL (SPEC03)
1	1	60 - 120 [IRE] by AEUSR (SPEC02) 8 - 38 [dB] AGCMAXH (SPEC06)

AGCMAXL = AGC MAXimum gain Low
AGCMAXH = AGC MAXimum gain High
AEUSR = AE USer level set


AWB-Mode

J4 AWB1	J5 AWB2	J6 AWB3	Option
0	0	0	ATW
0	0	1	Manual White Balance
0	1	0	Auto Mode
0 (standard setting)	1 (standard setting)	1	SET Mode
1	0	0	Indoor fixed value
1	0	1	Floureszent light
1	1	0	User mode (NETCamControl)
1	1	1	Outdoor fixed value

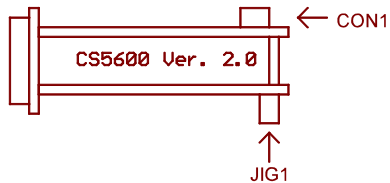
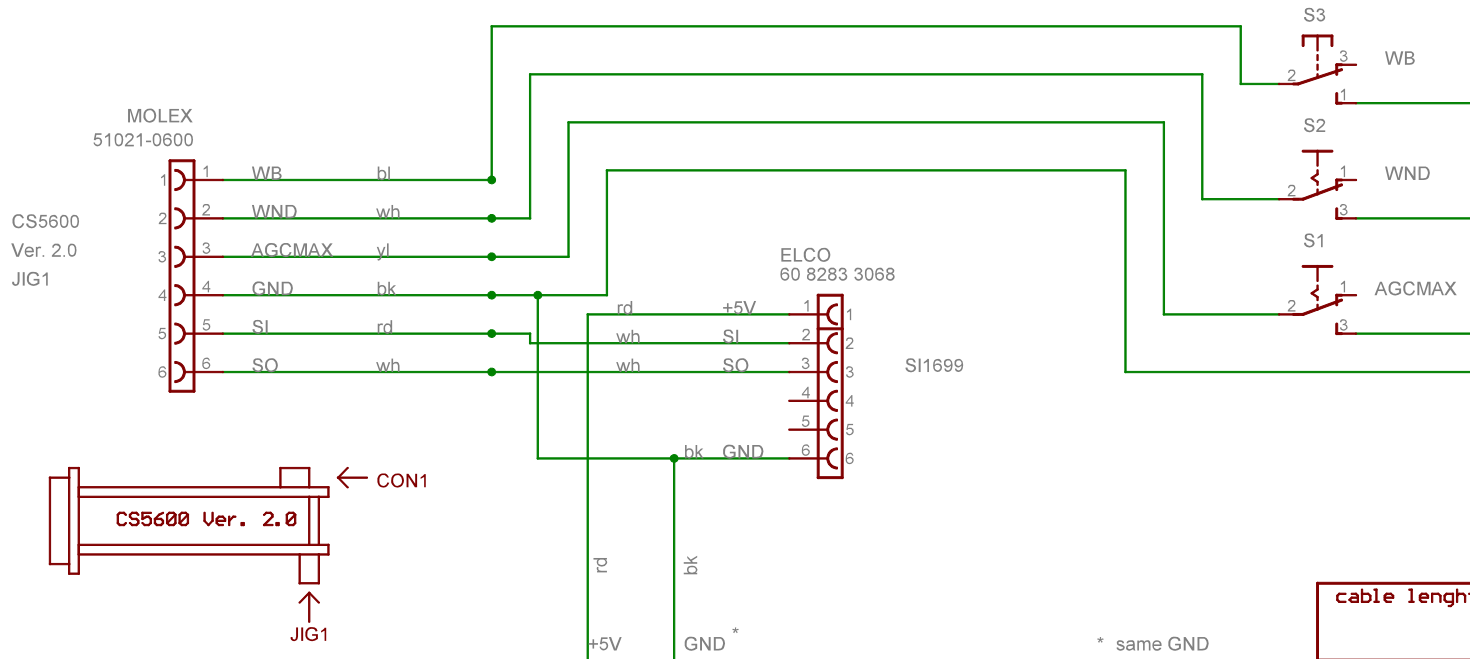
Backlight compensation

J1 BLCOF	Option
0	amount output (IRISV 2 to 5 V)
1 (standard setting)	off (IRISV fixed to 5V)

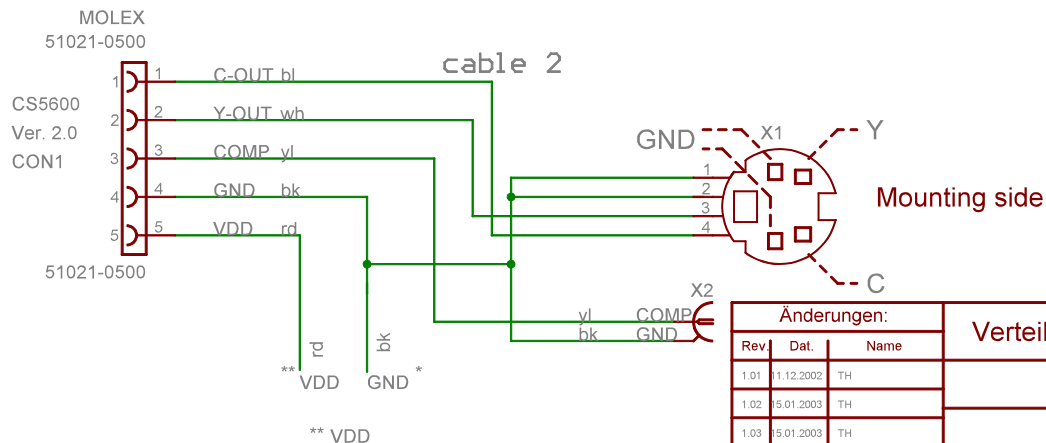
1 = High 3,3V 0 = Low 0V

Änderungen:			Verteiler:	NET GmbH Germany		
Rev.	Dat.	Name		TITLE:	camera settings CS5600 R2 Ver. 2.0	
1.01	24.03.2003	T. Huber	Entwicklung	Erstellt von:	TH	Erstellt am: 10.10.2002
1.02	08.12.2003	T. Huber				
1.03	2005-10-24	FST	Produktion	Document Number:		REV: 1.03
				SCH_CS5600_009		
				Date: 24.10.2005 09:46:51		Sheet: 1/1

cable 1



cable lenght:	cable 1 cable 2
cable typ: <small>(Colorcode DIN 47100)</small>	
crimp contact:	ELCO 60 8283 0513 99 808 Molex 50079-8000



** VDD	
+ 5V DC / 300mA	+12V DC / 200mA
C-CS5600-5V	C-CS5600
C-CS5600P-5V	C-CS5600P

Änderungen:		
Rev	Dat.	Name
1.01	11.12.2002	TH
1.02	15.01.2003	TH
1.03	15.01.2003	TH
1.04	15.02.2003	TH
1.05	18.12.2003	TH
1.06	18.09.2004	TH
1.07	09.05.2006	TH

Verteiler:

NET GmbH Germany

TITLE: CS5600 R2 Ver. 2.0 cable assembly

Erstellt von: TH Erstellt am: 13.01.2003

Document Number:
SCH_CS5600_008_01_07

Date: 09.05.2006 12:24:56

REV:
1.07

Sheet: 1/1

Artikelnr.: