

# FOculus

*Always a new perspective*



# FO432BIC

**FO432BIC**

[www.net-gmbh.com](http://www.net-gmbh.com)

## **IEEE1394 Digital CCD Camera**

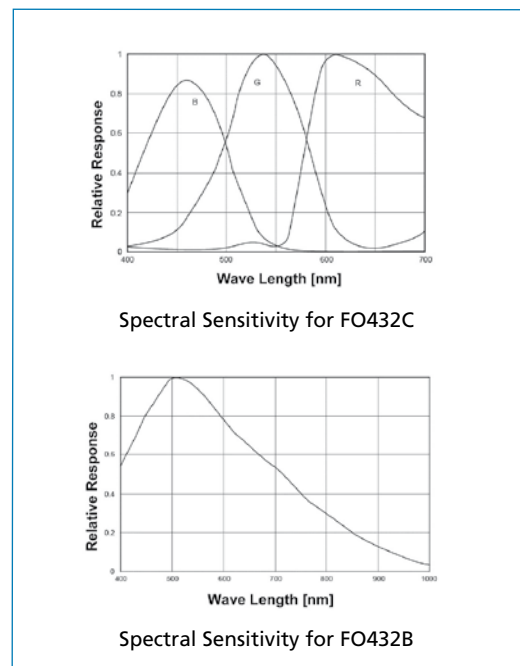
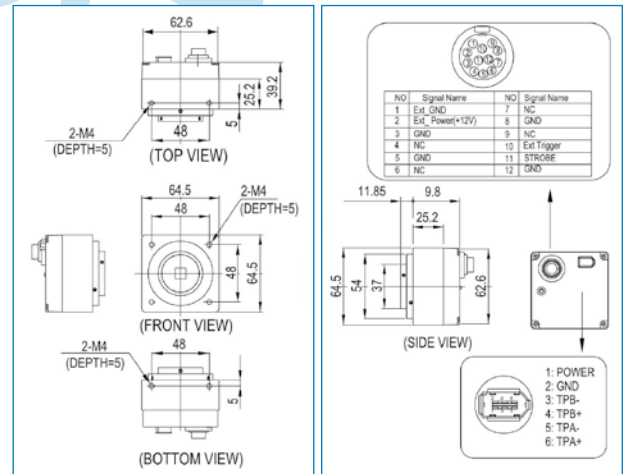
- 1/2" Progressive Scan CCD Image Sensor
- Resolution 1,450,000 (square pixel) SXGA
- IEEE1394.a acc. IIDC v.1.31 Interface
- FO432B =B/W • FO432C =Color
- External Trigger
- Frame Rate 20fps
- Partial Scan
- Camera setting via IEEE1394 Interface
- Compact, solid and highly shock-resistant casing
- Application:
  - Machine Vision
  - Factory Automation
  - Quality Control
  - Semi Con Inspection
  - Microscopy + Medical
  - Barcode, OCR, OCV
- Free Application Software and SDK

  
**NET**  
NEW ELECTRONIC TECHNOLOGY

# Technical Data

# FO432B/C

	FO432B (B/W)	FO432C (Color)
Image Sensor	1/2" IT CCD ICX205AL	1/2" IT CCD ICX205AK
Effective Pixel	1,450,000 pixel, 1392 (H) x 1040 (V) SXGA	
Data Path	8bit or 12bit B/W	8bit or 12bit Raw RGB / YUV422
Pixel Size	4.65 (H) x 4.65 (V) $\mu\text{m}$	
Scanning System	Progressive Scan	
Frame Rate	20fps (format7) / 15 / 7.5 / 3.75 / 1.875 fps	
Synchronization	Internal	
Digital Interface	IEEE1394a	
Software Interf.	Acc. IIDC v. 1.31	
Gain Control	Manual: 0 ~ 25 dB; Auto Gain	
Gamma	0.4 ~ 2.5	
Strobe Output	Yes	
S/N Ratio	56 dB or better	
Power Supply	+ 8 VDC to + 30 VDC via the IEEE1394 cable	
Transfer Rate	400 Mbps	
Trigger Mode	Software or External Trigger / Mode 0 ~ 5; 14	
Shutter Speed	Manual: 1 $\mu\text{sec}$ ~ 65 sec; Auto Shutter	
Advanced Features	Pixel Binning (only B/W); RS232 (SIO/Pass through); ROI; One Shot & Multi Shot; Multi Camera Auto Sync	
Operating Temperatur	- 5°C to + 45°C	
Regulations	FCC, CE, RoHS	
Lens Mount	C-mount	
Dimension	64 (W) x 64 (H) x 60 (D)mm / Approx. 300g	



**Accessories:** • IEEE 1394 cable, 6-pin • SDK (Software Development Kit) • OHCI Card • Tripod Adapter Plate • Trigger Cable 12-pin

## Contact

**New Electronic Technology**  
 Vertriebsgesellschaft mbH  
 Lerchenberg 7 • D-86923 Finning

Fon +49 8806 92 34-0  
 Fax +49 8806 92 34-77  
 info@net-gmbh.com

[www.net-gmbh.com](http://www.net-gmbh.com)

**NET USA, Inc.**  
 3037 - 45th Street  
 Highland, IN 46322

Fon +1 219 934 90 42  
 Fax +1 219 934 90 47  
 info@net-usa-inc.com

[www.net-usa-inc.com](http://www.net-usa-inc.com)

