

FOculus

Always a new perspective



FO531B/C

FO531B/C

www.net-gmbh.com

IEEE1394 Digital CCD Camera

- 1/1.8" Progressive Scan CCD Image Sensor
- Resolution 2,010,000 (square pixel) UXGA
- IEEE1394.a acc. IIDC v.1.31 Interface
- FO531B =B/W • FO531C =Color
- External Trigger
- Frame Rate 16fps
- Partial Scan
- Camera setting via IEEE1394 Interface
- Compact, solid and highly shock-resistant casing
- Application:
 - Machine Vision
 - Factory Automation
 - Quality Control
 - Semi Con Inspection
 - Microscopy + Medical
 - Barcode, OCR, OCV
- Free Application Software and SDK

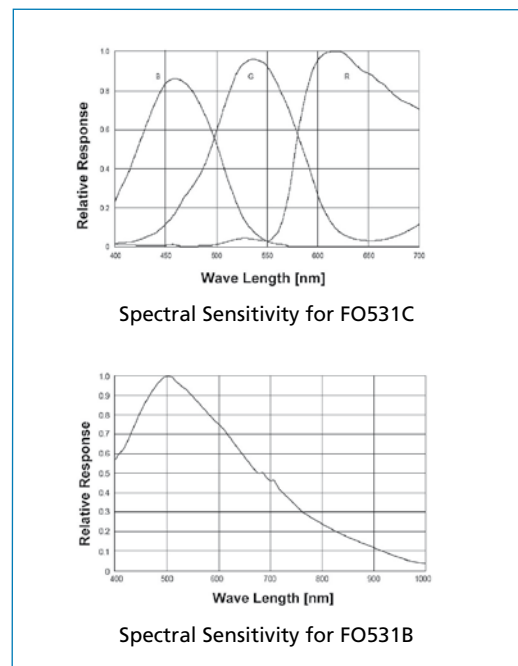
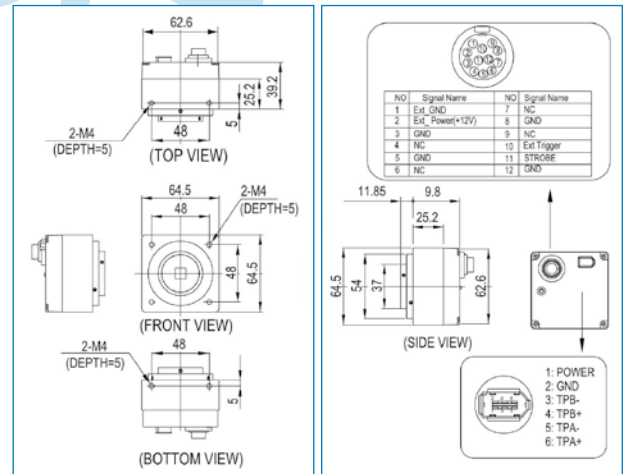
NET

NEW ELECTRONIC TECHNOLOGY

Technical Data

FO531B/C

	FO531B (B/W)	FO531C (Color)
Image Sensor	1/1.8" IT CCD ICX274AL	1/1.8" IT CCD ICX274AQ
Effective pixel	2,010,000 pixel, 1628 (H) x 1236 (V) UXGA	
Data path	8bit or 12bit B/W	8bit or 12bit Raw RGB / YUV422
Pixel size	4.40 (H) x 4.40 (V) μm	
Scanning System	Progressive Scan	
Frame rate	16fps (format7) / 15, 7.5, 3.75, 1.875 fps	
Synchronization	Internal	
Digital Interface	IEEE1394a	
Software Interf.	Acc. IIDC v. 1.31	
Gain control	Manual: 0 ~ 25 dB; Auto Gain	
Gamma	0.4 ~ 2.5	
Strobe output	Yes	
S/N ratio	56 dB or better	
Power supply	+ 8 VDC to + 30 VDC via the IEEE1394 cable	
Transfer rate	400 Mbps	
Trigger mode	Software or External Trigger / Mode 0 ~ 5; 14	
Shutter Speed	Manual: 1 μsec ~ 65 sec; Auto Shutter	
Advanced Features	Pixel Binning B/W + Color; RS232 (SIO/Pass through); ROI; One Shot & Multi Shot; Multi Camera Auto Sync	
Operating Temperatur	- 5°C to + 45°C	
Regulations	FCC, CE, RoHS	
Lens mount	C-mount	
Dimension	64 (W) x 64 (H) x 60 (D)mm / Approx. 300g	



Accessories: • IEEE 1394 cable, 6-pin • SDK (Software Development Kit) • OHCI Card • Tripod Adapter Plate • Trigger Cable 12-pin

Contact

New Electronic Technology
Vertriebsgesellschaft mbH
Lerchenberg 7 • D-86923 Finning

Fon +49 8806 92 34-0
Fax +49 8806 92 34-77
info@net-gmbh.com

www.net-gmbh.com

NET USA, Inc.
3037 - 45th Street
Highland, IN 46322

Fon +1 219 934 90 42
Fax +1 219 934 90 47
info@net-usa-inc.com

www.net-usa-inc.com

